

Cardiac Ablation Solutions

Selected Graphics

Medtronic

2020 Institutional Investor & Analyst Day

October 14, 2020



INVESTOR DAY 2020

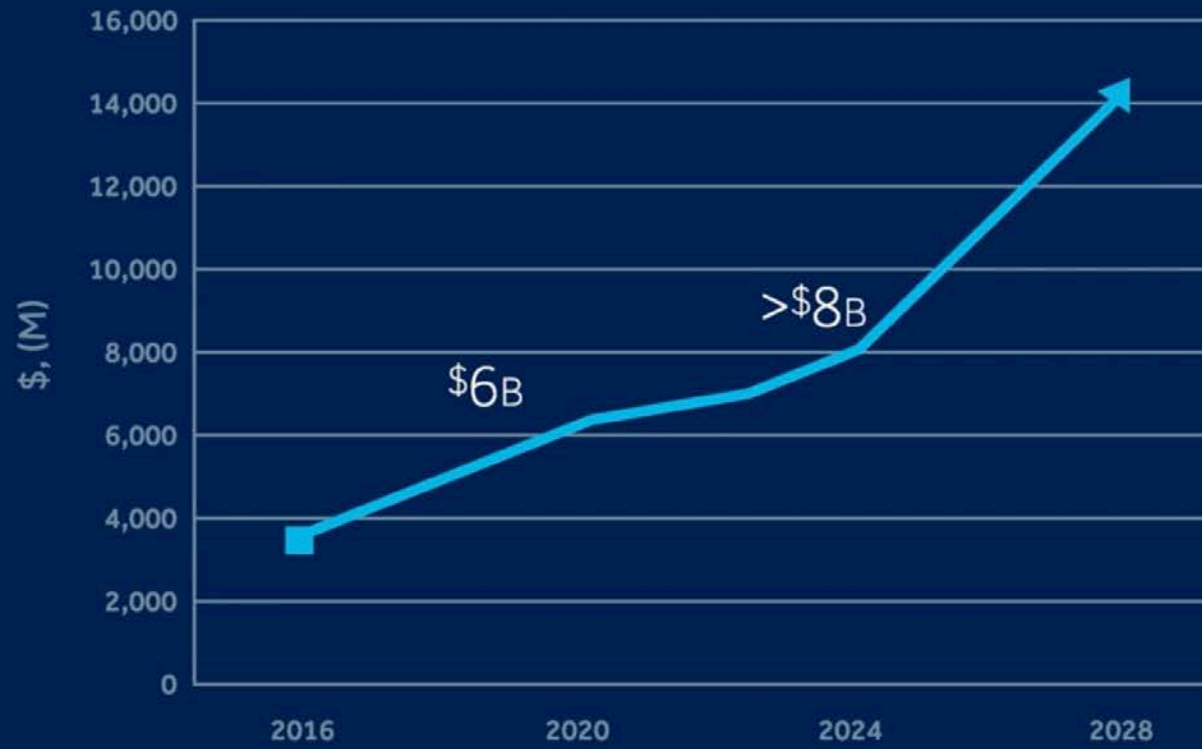
Rebecca Seidel
President, Cardiac Ablation Solutions

**Goal to deliver disruptive innovation
to treat all arrhythmias**



Medtronic

EP Ablation Market Revenue





EP ablation market segments

100%
of EP market

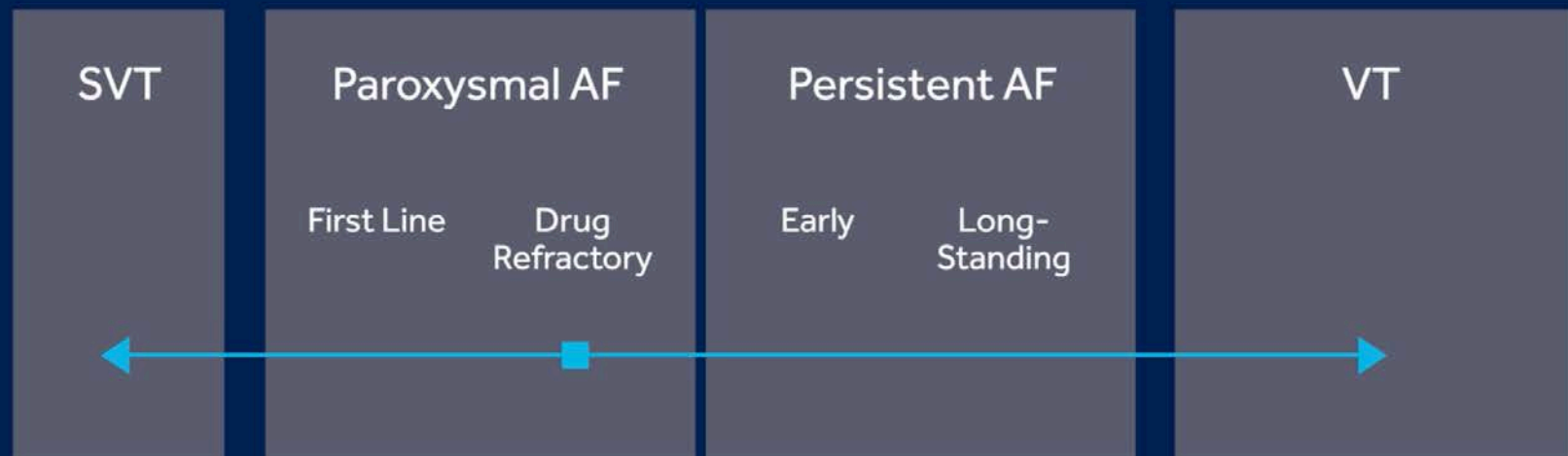


■ AF Anatomical ■ AF Substrate ■ SVT ■ SVT

Medtronic

ATRIAL

VENTRICULAR





Medtronic

A light blue world map is visible in the background, centered behind the text. The map shows the outlines of continents and countries.

14+

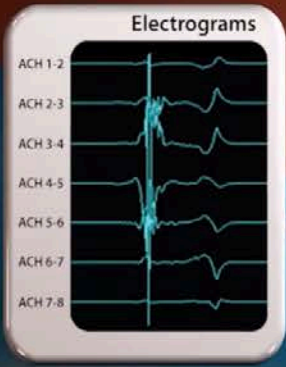
Years of clinical
experience

800,000

Patients treated using cryoablation procedures

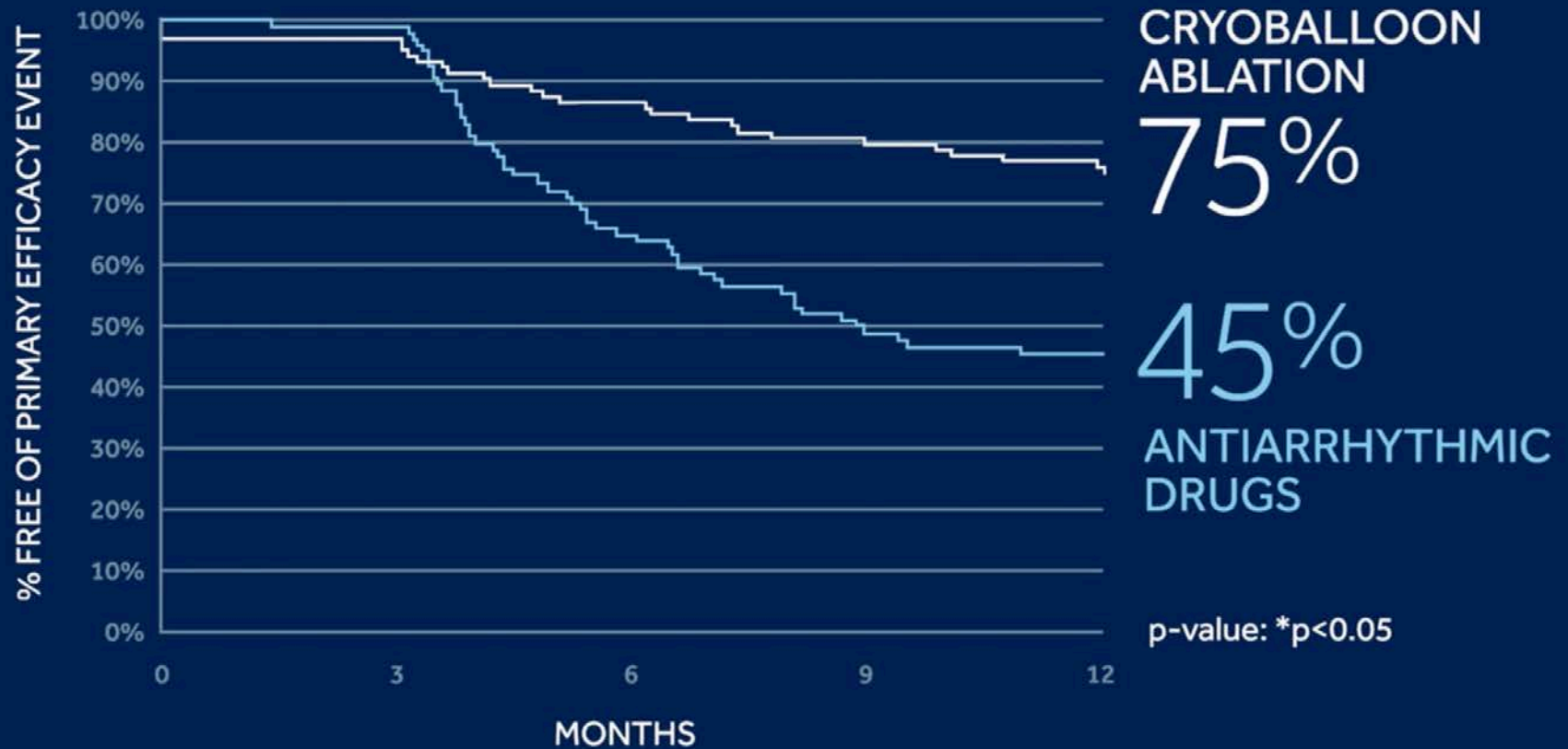
80+

Countries using
cryoballoon



Medtronic

Stop AF First clinical trial

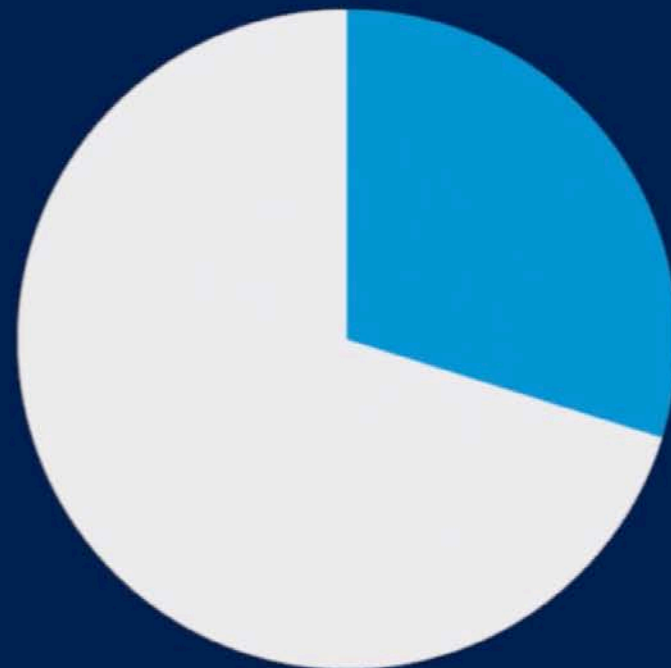


Medtronic



**~38M Patients Diagnosed
with AF**

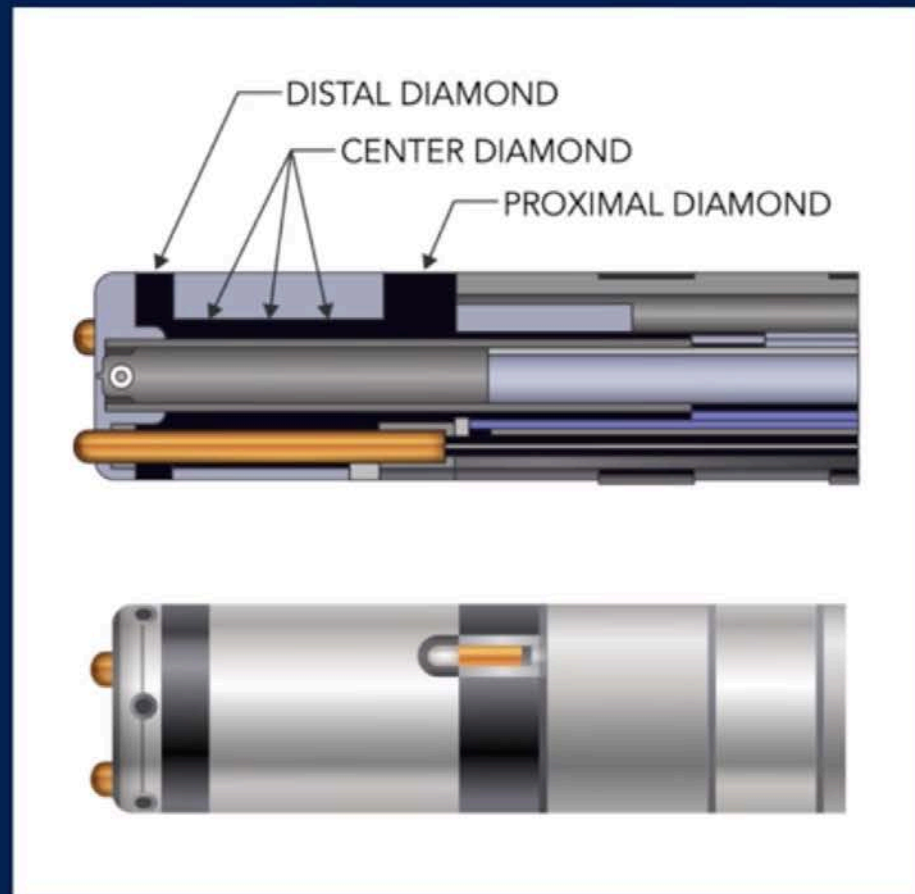
30%
of Patients Eligible
for Ablation Today



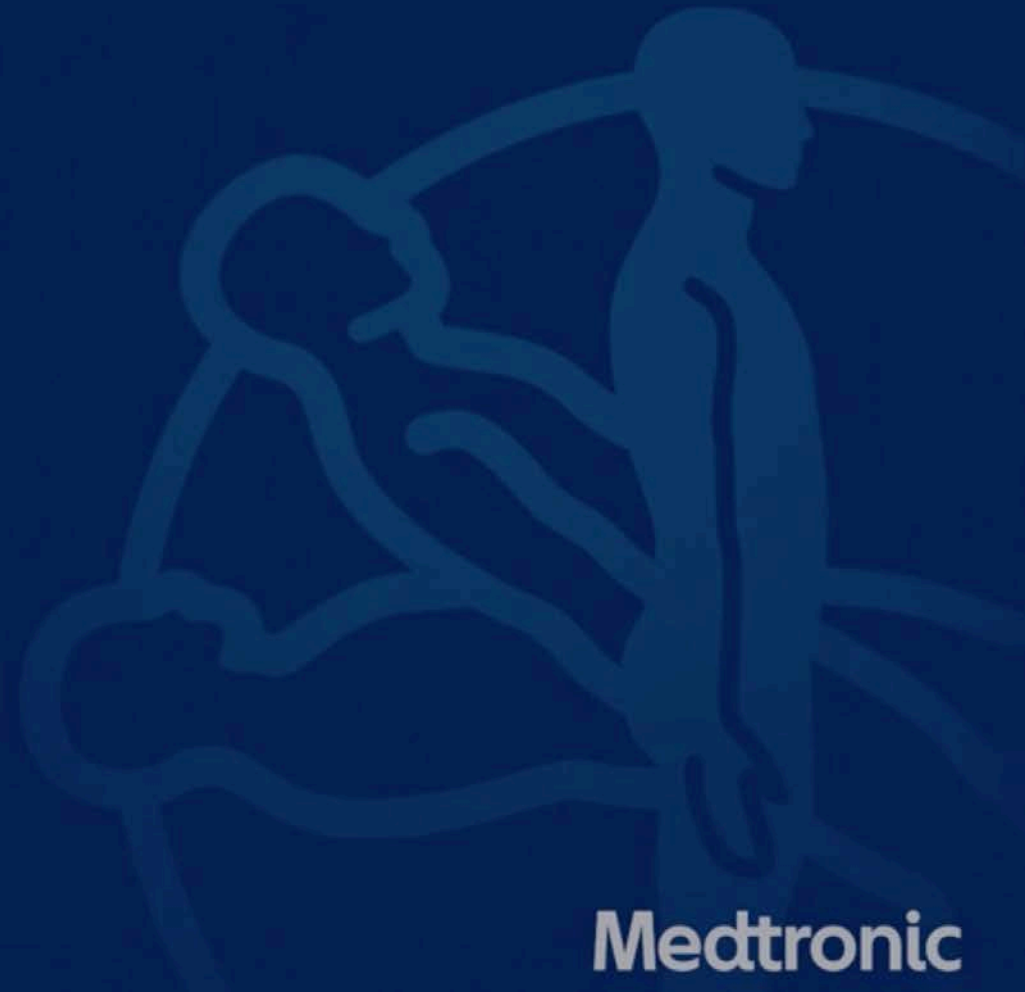
Medtronic



Medtronic



Medtronic



Medtronic



INVESTOR DAY 2020

Dr. Atul Verma

Electrophysiologist, Southlake Regional Health Center



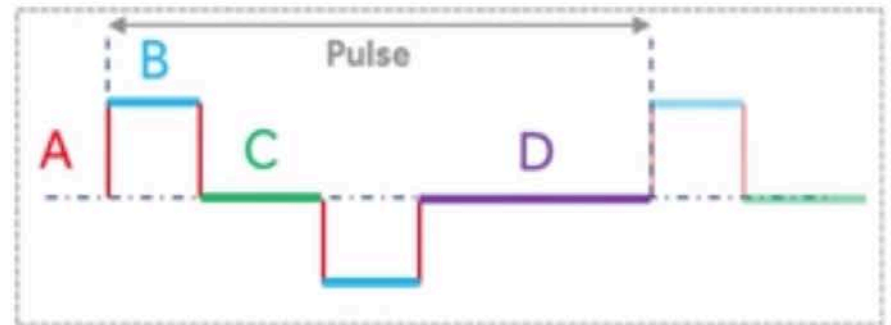
**MORE
EFFICIENT
LESIONS¹**

**IN A SHORTER
PERIOD
OF TIME¹**

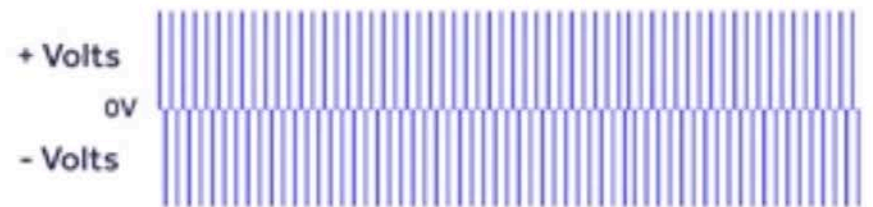
¹ Iwasawa J, Koruth JS, Petru J, et al. Temperature-Controlled Radiofrequency Ablation for Pulmonary Vein Isolation in Patients With Atrial Fibrillation. *J Am Coll Cardiol.* August 1, 2017;70(5):542-553)



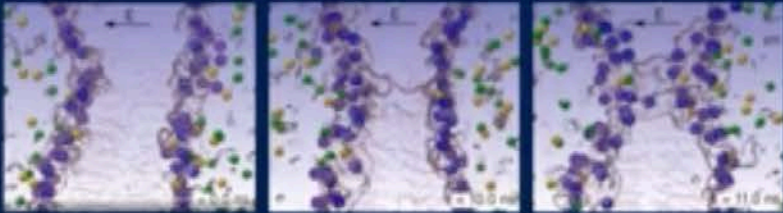
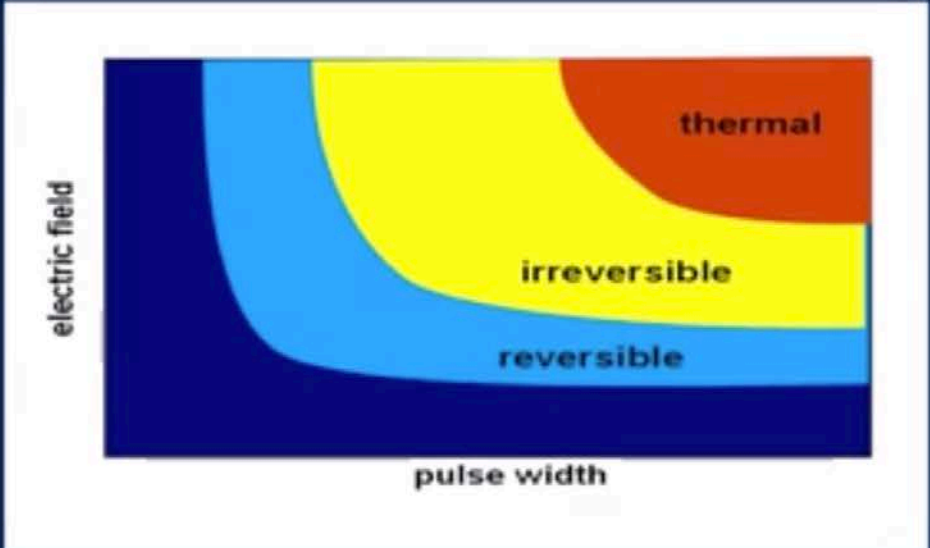
Complex Pulsed Field Ablation Pulse Algorithm



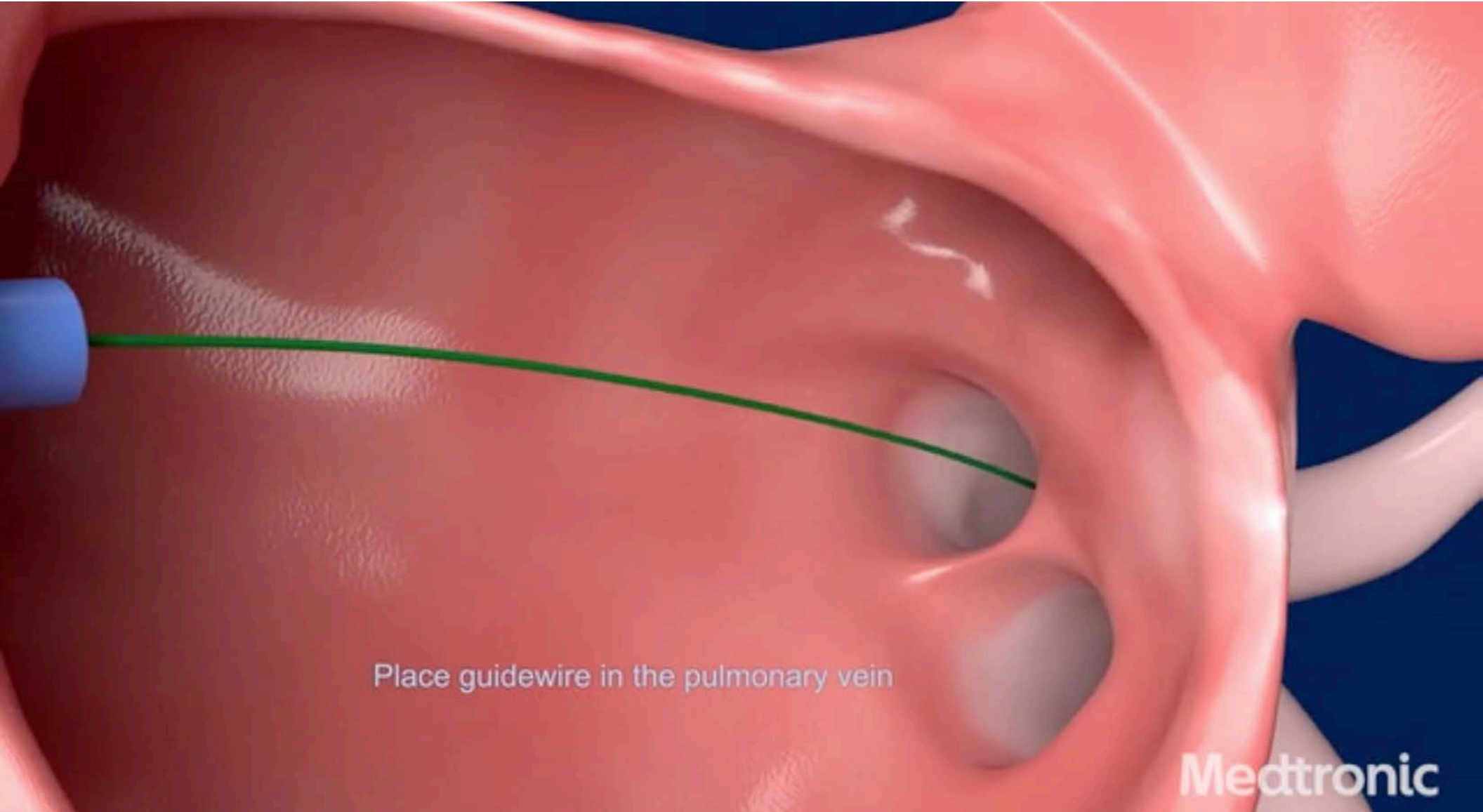
Biphasic Pulsed Field Ablation Pulse Train



Medtronic



Medtronic



Place guidewire in the pulmonary vein

Medtronic



INVESTOR DAY 2020

Robert Kowal, M.D., Ph.D.

Vice President & Chief Medical Officer CRM/CAS/CD&S



Pulsed AF pilot study results

	n	Successful
All Patients	14	100%
All PV's	56	100%
Lt. Superior	13	100%
Lt. Common	1	100%
Lt. Inferior	13	100%
Rt. Superior	14	100%
Rt. Middle	1	100%
Rt. Inferior	14	100%

Medtronic



Medtronic



INVESTOR DAY 2020

Dr. Devi Nair

Electrophysiologist, St. Benards Healthcare

**Goal to deliver disruptive innovation
to treat all arrhythmias**



Medtronic



Medtronic



Strongest innovation pipeline
Accelerating growth
Disrupting the market

Medtronic